

**Serie | 2, telescopic cooker hood, 60 cm, Silver metallic  
DFM063W55B**



**Optional accessories**

DSZ4545 : Standard recirculation kit

DSZ4551 : Standard odor filter (replacement)

**Telescopic cooker hoods extend when in use and slide neatly away when not in operation.**

- **Silent:** maximum extractor performance with little noise.
- An impressive extraction rate of m<sup>3</sup>/h ensures this hood will have your kitchen odour free in no time.
- Beautifully designed to provide excellent viewability when not in use

**Technical Data**

Typology : Pull-out

Approval certificates : CE, VDE

Length electrical supply cord : 175 cm

Required niche size for installation (HxWxD) : 162mm x 526.0mm x 290mm mm

Minimum distance above an electric hob : 430 mm

Minimum distance above a gas hob : 650 mm

Net weight : 8.9 kg

Type of control : mechanical

Number of speed settings : 2

Maximum output air extraction : 328 m<sup>3</sup>/h

Maximum output recirculating air : 181 m<sup>3</sup>/h

Number of lights : 2

Noise level : 64 dB(A) re 1 pW

Diameter of air outlet : 120 / 150 mm

Grease filter material : Washable aluminium

EAN code : 4242005132331

Connection Rating : 130 W

Fuse protection : 10 A

Voltage : 220-240 V

Frequency : 50 Hz

Plug type : GB plug

Installation typology : Built-in



## Serie | 2, telescopic cooker hood, 60 cm, Silver metallic DFM063W55B

**Telescopic cooker hoods extend when in use  
and slide neatly away when not in operation.**

---

### Key performance features:

- Energy Efficiency Class: D (at a range of energy efficiency classes from A+++ to D)
- Max. extraction rate: 328 m<sup>3</sup>/h
- Noise max. Normal Level: 64 dB\*

### Features

- 2 power levels
- Rocker switch control for extractor speeds and light
- Automatic On/Off operation when telescopic canopy is pulled out and pushed back
- 2 x halogen lights
- Colour Temperature: 2700 K
- 2 metal grease filter cassettes
- For installation into a 60cm wide cupboard

### Design

- Telescopic hood
- Rocker switch control
- Mechanical

### Performance/technical information

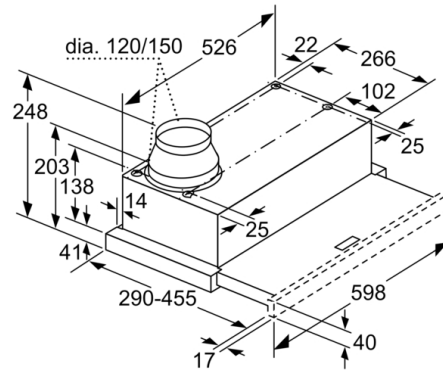
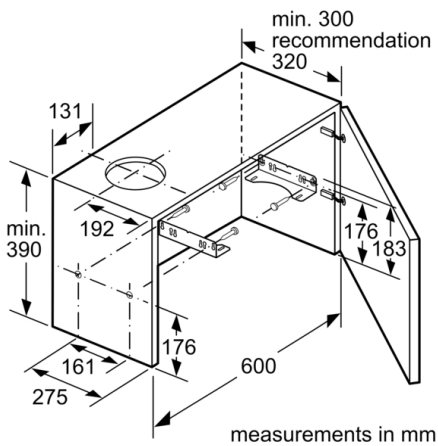
- Suitable for ducted or recirculating operation
- For recirculated extraction recirculating kit (accessory) needed
- Maximum extraction rate exhaust air 328 m<sup>3</sup>/h according to EN 61591
- Noise level according to EN 60704-3 und EN 60704-2-13 at max. normal use exhaust air: 64 dB(A) re 1 pW (51 dB(A) re 20 µPa sound pressure)
- Power rating: 130 W
- Light Intensity: 352 lux
- Electrical cable length 1.75 m
- Diameter pipe Ø 150 mm (Ø 120 mm enclosed)
- Dimensions exhaust air (HxWxD): 203-203 x 598 x 290 mm
- Blower Efficiency Class: D\*
- Lighting Efficiency Class: E\*
- Grease Filtering Efficiency Class: C\*
- Average Energy Consumption: 67.6 kWh/year\*

### Optional accessories

- Recirculating kit DSZ4545

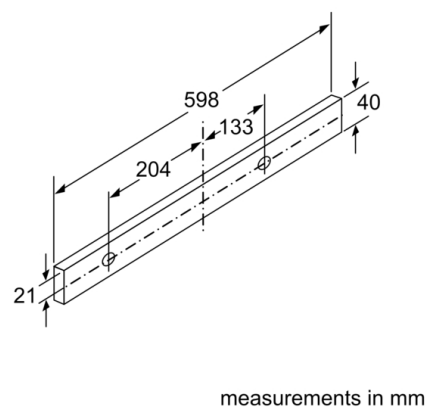
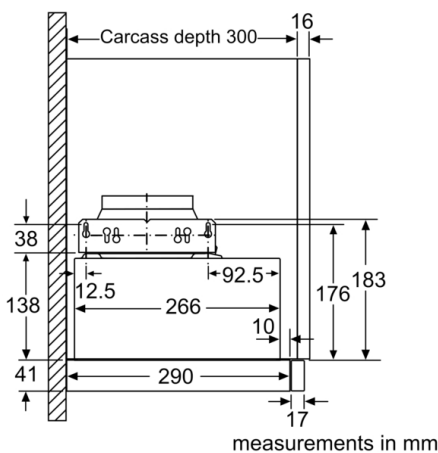
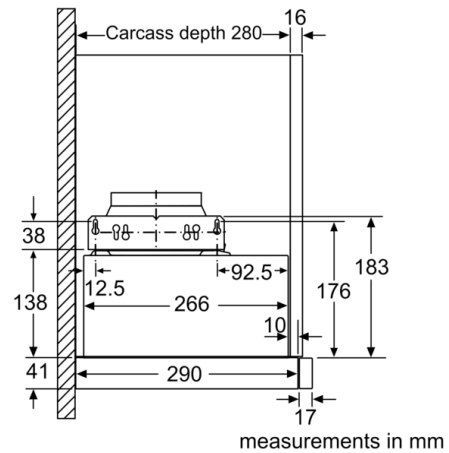
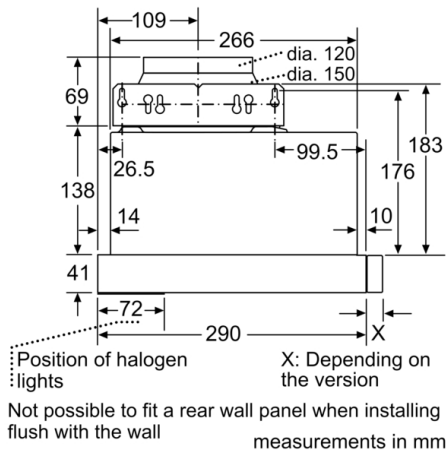
\* In accordance with the EU-Regulation No 65/2014

**Serie | 2, telescopic cooker hood, 60 cm,  
Silver metallic  
DFM063W55B**



Depth of the filter drawer can be adjusted by up to 29 mm

measurements in mm



**Serie | 2, telescopic cooker hood, 60 cm,  
Silver metallic  
DFM063W55B**

